

# ON-590

## Power by Perkins

# 2806C-E18TAG1A

Prime power: 472KW/590KVA

Standby power: 520KW/650KVA

## GENERATING POWER SOLUTIONS

### Increased availability for new operations

Reliable, robust and versatile generator.  
Ready to deliver power for a next job.

### Increased uptime during operations

Once installed on the end-user-site, the generator will be ready to run: "peace of mind" operation.

### Reduced transport and installation costs

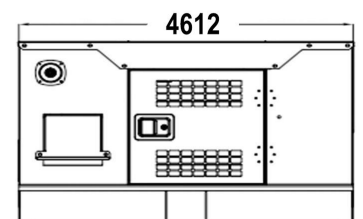
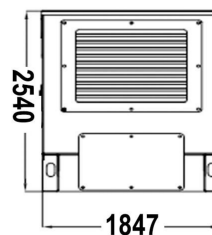
The compact and robust design with integrated transport features enables faster and safer transport and installation.

### Reduced service & maintenance costs

Longer service intervals.  
Quicker and more efficient service jobs.

### Premium resale value

Designed and built to last.



# ONEWPOWER

[WWW.ONEWPOWER.COM](http://WWW.ONEWPOWER.COM)

DIMENSION		OPEN TYPE	SILENT TYPE
Length (L)	mm	3315	4612
Width (W)	mm	1470	1847
Height (H)	mm	2130	2540
Dry weight	kg	3875	5450
Fuel tank	L	840	840

## Technical Data

### Model ON-590

Rated prime power	KW	472
Rated standard power	KW	520
Rated voltage line to line	V	380~415
Maximun sound level	dB(@7m)	≤72

### Engine

Model	2806C-E18TAG1A	
Aspiration	Turbocharged air-to-air charge cooling	
Fuel system	mechanical pump	
No. cylinders	6	
Displacement	Liquid	18.13
Bore*Stroke	mm	145*183
Compression ratio	14.5:1	
Rated speed	r/min	1500
Rated net power(with fan)	Kw	520
Governor type	ECU	

### Exhaust system

Exhaust gas flow		110 m³/min
Exhaust gas temp	° F (° C)	<550
Max back pressure		6.9 kPa

### Aspiration system

Max inlet pressure	kPa	≤3.5
Combustion volume	L/s	/
Air flow		TBD

### Fuel system

100% load(Prime power)	L/h	129
75% load(Prime power)	L/h	96
50% load(Prime power)	L/h	63
Fuel tank capacity	L	840

### Lubrication system

Oil capacity	L	62
Oil consumption	g/kwh	28.3
Oil pressure	kPa	10
(continuous operation)		

### Cooling system

Coolant capacity	L	61
Thermostat operation range	°C	76-88
Max water temperature	°C	98

### Alternator

Model	ON-590	
Phase	3	
Voltage	V	380~415
Bearing	1	
Power factor	0.8	
Frequency	Hz	50
Prime power	KW	472
Exciter Type	Brushless, self-excitation	
Voltage regulation	%	±1.0
Protection Grade	IP 23	
Insulation grade	H/H	
Altitude	m	≤1000

### Controller

- Model
- Protective functions:
- Low oil pressure
  - High water temperature
  - High/low voltage
  - High Engine Temperature and Overspeed.
  - Voltage regulator frequency regulator
  - Emergency stop
  - Start failure



### Control Module Options



- Auto generator control module
- Control module with "Three Remote Control" functions
- ATS auto load transfer screen
- Synchronising control modules
- Power output cabinet

### Standard features

- Engine ●
- Radiator 50°C max, fans are driven by belt ●
- 24V charge alternator ●
- Alternator: single bearing alternator IP23, insulation class H/H ●
- Standard auto control system ●
- One set of air filter, fuel filter, oil filter ●
- Main line circuit breaker/MCCB ●
- Base fuel tank ●
- Two 24V batteries, rac and cable ●
- Exhaust system(Ripple flex exhaust pipe, exhaust siphon, flange, muffler) ●
- User manual ●

### Options

- Battery charge ○
  - Engine heater ○
  - Alternator heater ○
  - PMG ○
  - Water oil separator ○
  - Daily fuel tank ○
  - Remote control panel ○
  - Automatic transfer switch/ATS ○
  - Switch box ○
- Standard: ●                      Options: ○

### Warranty

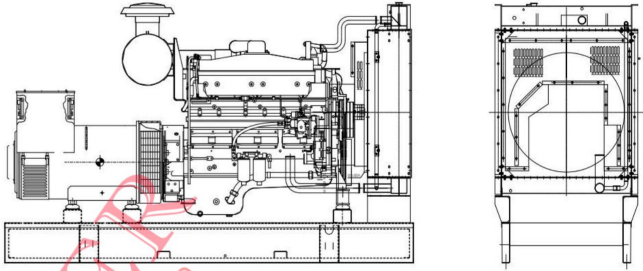
#### CUMMINS ENGINE

12 months from date of purchase and 1000 hours.

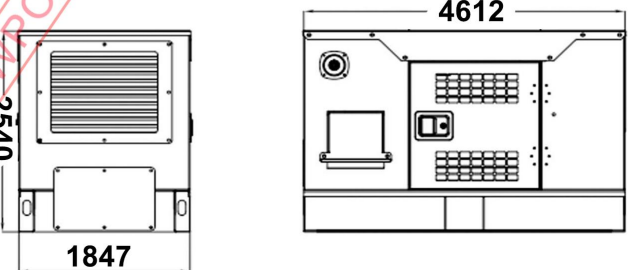
#### Generator

12 months from date of purchase or 1000 hours (whichever occurs first).

### Dimensions



Open Type		
L*W*H	mm	3315*1470*2130
WEIGHT	kg	3875



Silent Type		
L*W*H	mm	4612*1847*2540
Weight	kg	5450

## ONEWPOWER

ADD: NO . 1 0 7 XIYUAN ROAD , JINAN DISTRICT, FUZHOU CITY, FUJIAN, CHINA

Phone: 15980204507 E-mail: jina@onewpower.com

WWW.ONEWPOWER.COM

