

# ON-500

## Power by Perkins

# 2506C-E15TAG2

Prime power: 400KW/500KVA

Standby power: 440KW/550KVA

## GENERATING POWER SOLUTIONS

### Increased availability for new operations

Reliable, robust and versatile generator.  
Ready to deliver power for a next job.

### Increased uptime during operations

Once installed on the end-user-site, the generator will be ready to run: "peace of mind" operation.

### Reduced transport and installation costs

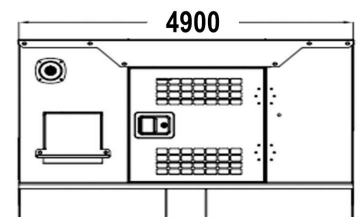
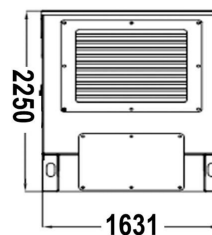
The compact and robust design with integrated transport features enables faster and safer transport and installation.

### Reduced service & maintenance costs

Longer service intervals.  
Quicker and more efficient service jobs.

### Premium resale value

Designed and built to last.



# ONEWPOWER

[WWW.ONEWPOWER.COM](http://WWW.ONEWPOWER.COM)

DIMENSION		OPEN TYPE	SILENT TYPE
Length (L)	mm	3115	4900
Width (W)	mm	1380	1631
Height (H)	mm	1850	2250
Dry weight	kg	3700	4500
Fuel tank	L	700	700

## Technical Data

### Model ON-500

Rated prime power	KW	400
Rated standard power	KW	440
Rated voltage line to line	V	380~415
Maximun sound level	dB(@7m)	≤72

### Engine

Model	2506C-E15TAG2	
Aspiration	Turbocharged air-to-air charge cooling	
Fuel system	mechanical pump	
No. cylinders	6	
Displacement	Liquid	15
Bore*Stroke	mm	137*171
Compression ratio	16:1	
Rated speed	r/min	1500
Rated net power(with fan)	Kw	440
Governor type	ECU	

### Exhaust system

Exhaust gas flow	94 m <sup>3</sup> /min	
Exhaust gas temp	° F (° C)	N/A
Max back pressure	6.8 kPa	

### Aspiration system

Max inlet pressure	kPa	≤3.5
Combustion volume	L/s	/
Air flow	TBD	

### Fuel system

100% load(Prime power)	L/h	99
75% load(Prime power)	L/h	73
50% load(Prime power)	L/h	51
Fuel tank capacity	L	700

### Lubrication system

Oil capacity	L	62
Oil consumption	g/kwh	28.3
Oil pressure	kPa	10
(continuous operation)		

### Cooling system

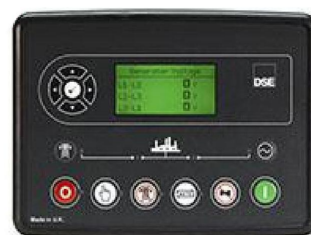
Coolant capacity	L	58
Thermostat operation range	°C	76-88
Max water temperature	°C	98

### Alternator

Model	ON-500	
Phase	3	
Voltage	V	380~415
Bearing	1	
Power factor	0.8	
Frequency	Hz	50
Prime power	KW	400
Exciter Type	Brushless, self-excitation	
Voltage regulation	%	±1.0
Protection Grade	IP 23	
Insulation grade	H/H	
Altitude	m	≤1000

### Controller

- Model
- Protective functions:
- Low oil pressure
  - High water temperature
  - High/low voltage
  - High Engine Temperature and Overspeed.
  - Voltage regulator frequency regulator
  - Emergency stop
  - Start failure



### Control Module Options



- Auto generator control module
- Control module with "Three Remote Control" functions
- ATS auto load transfer screen
- Synchronising control modules
- Power output cabinet

## Standard features

- Engine ●
- Radiator 50°C max, fans are driven by belt ●
- 24V charge alternator ●
- Alternator: single bearing alternator IP23, insulation class H/H ●
- Standard auto control system ●
- One set of air filter, fuel filter, oil filter ●
- Main line circuit breaker/MCCB ●
- Base fuel tank ●
- Two 24V batteries, rac and cable ●
- Exhaust system(Ripple flex exhaust pipe, exhaust siphon, flange, muffler) ●
- User manual ●

## Options

- Battery charge ○
- Engine heater ○
- Alternator heater ○
- PMG ○
- Water oil separator ○
- Daily fuel tank ○
- Remote control panel ○
- Automatic transfer switch/ATS ○
- Switch box ○
- Standard: ● Options: ○

## Warranty

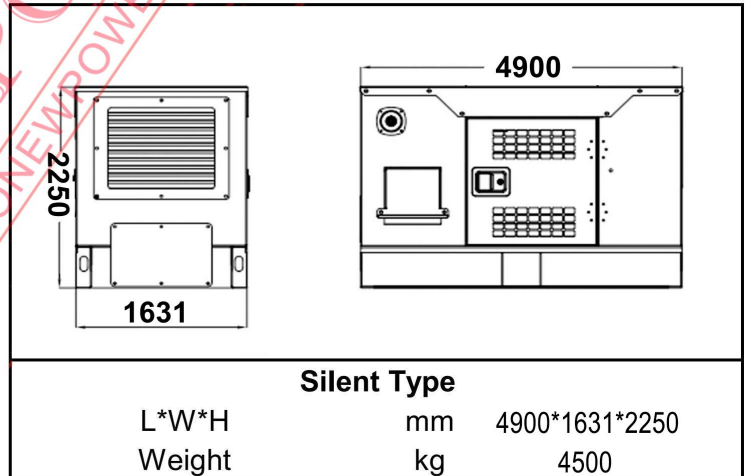
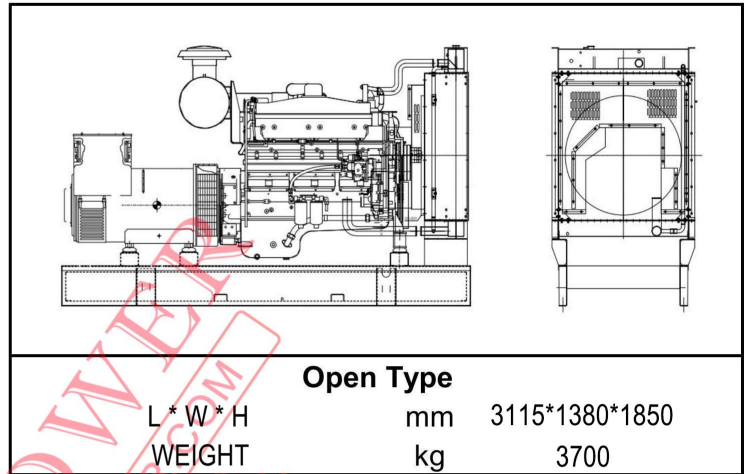
### CUMMINS ENGINE

12 months from date of purchase and 1000 hours.

### Generator

12 months from date of purchase or 1000 hours (whichever occurs first).

## Dimensions



## ONEWPOWER

ADD: NO . 1 0 7 XIYUAN ROAD , JINAN DISTRICT, FUZHOU CITY, FUJIAN, CHINA

Phone: 15980204507 E-mail: jina@onewpower.com

WWW.ONEWPOWER.COM

